

Surge Protection Devices

Safeguarding your facility from:

- Lightning Surge (direct and indirect lightning strikes)
- Switching Surge (switching of inductive loads)



Surge Protectors

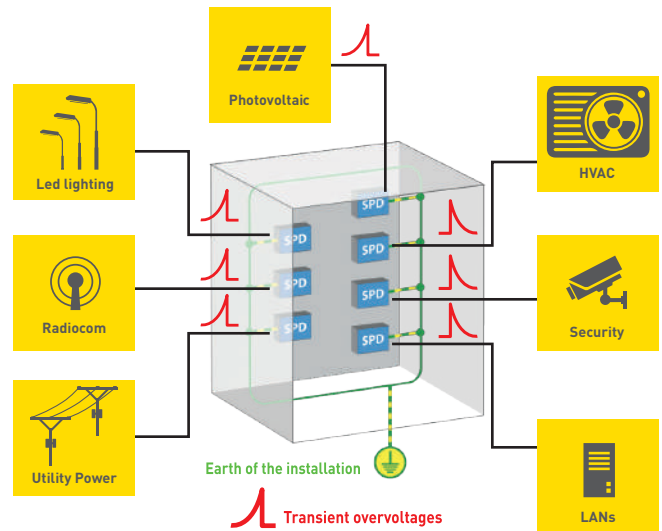
The only effective protection

The goal is to limit the overvoltages to a level in compliance with the electrical withstand of the terminal equipment to be protected.

The SPD has to :

- provide the lowest residual voltage as possible,
- provide a discharge capacity adapted to the real risks,
- avoid disturbances of operation for the equipment.

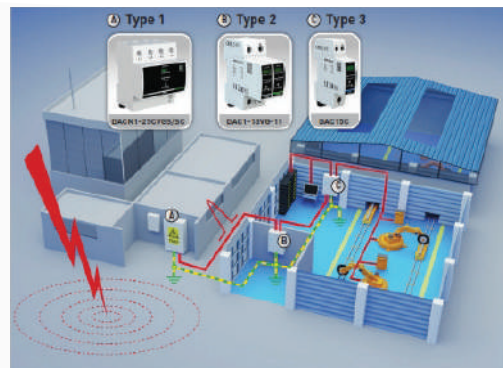
These parameters will be reached by selecting the relevant surge protectors, as well as installing them in the correct way. Easy to use and efficient, CITEL surge protectors have been designed following the main international standards.



AC Surge Protectors

DAC Range

- ✓ New surge protectors range: DAC
- ✓ Full range of AC Surge Protection Type 1 and Type 2
- ✓ In compliance with EN and IEC standards
- ✓ Pluggable version / DIN Rail mounting design
- ✓ Discharge current : $I_{max} > 140 \text{ kA}$ - $I_{limp} > 25 \text{ kA}$
- ✓ Different operating voltages
- ✓ Safety thermal disconnection and remote signalling
- ✓ Available in VG Technology



Series	Type	I_{max}	I_{limp}	Specificity
DACN1-25VGS	1+2+3	70 kA	25 kA	Very high energy
DAC1-13VGS	1+2+3	50 kA	12.5 kA	Compact, Pluggable, Very high efficiency
DAC1-13S	1+2	-	12.5 kA	Pluggable
DAC80S	2	80 kA	-	Single phase
DAC50VGS	2+3	50 kA	-	Pluggable
DAC50S	2	50 kA	-	Pluggable
DACF25S	2	25 kA	-	Integrated fuse, Pluggable
DACF15S	2	15 kA	-	Pluggable
DAC40CS	2	40 kA	-	Compact, Pluggable
DAC15CS	2	15 kA	-	Compact, Pluggable
DACN10S	2	5 kA	-	Single phase



DACN1-25VGS



DAC1-13VGS



DAC50VGS

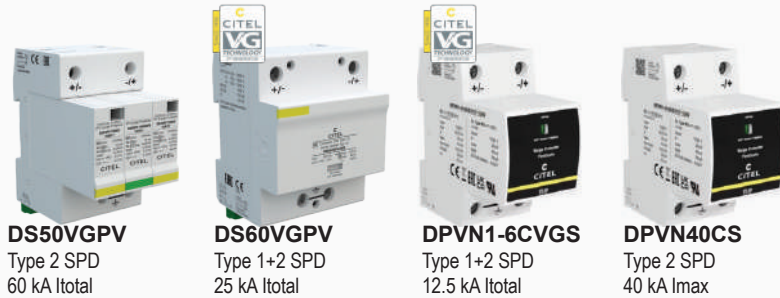


DAC50S

Surge Protectors For Photovoltaic System

DPVN / DS50VGPV / DS60VGPV range

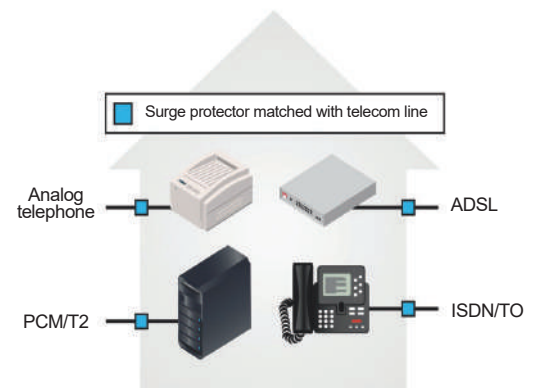
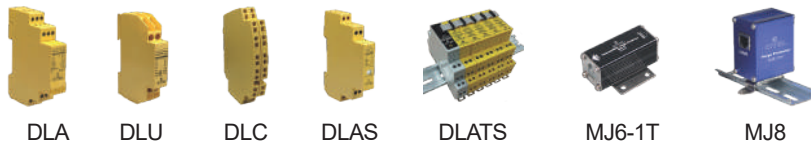
- ✓ Complete range for photovoltaic installation
- ✓ Type 1 and Type 2 P-V surge protectors
- ✓ Available voltages : 500, 600, 800, 1000 and 1500 Vdc
- ✓ Safety disconnection and remote signalling
- ✓ CTC Technology (DPVN) : Central Thermal Control
- ✓ IEC 61643-31 compliance



Telecom & Dataline Surge Protectors

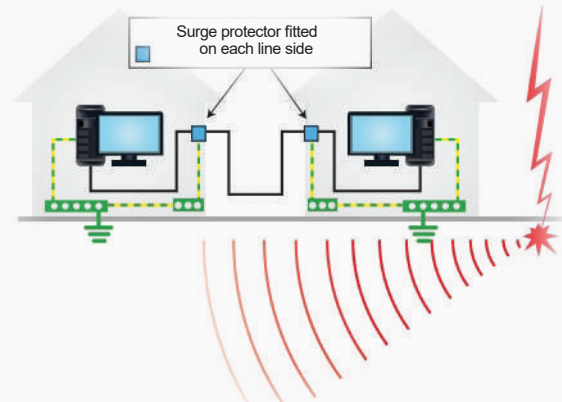
A comprehensive range of surge protectors for the most common of transmission lines.

- ✓ Very short response time (less than 1 ns)
- ✓ Gas tube for high discharge current capability
- ✓ Fail safe behaviour in case of permanent failure
- ✓ Mounting: on telecom MDF, wall, DIN Rail
- ✓ Telecom Applications: PSTN, ISDN, ADSL, VDSL, HDSL
- ✓ Data Applications: RS485, RS422, 0-20mA, Profibus....
- ✓ IEC/EN 61643-21 compliance
- ✓ Signalisation and Remote signalling version



Computer Network Surge Protectors

- Very short response time (less than 1 ns)
- Gas tube for high discharge current capability
- Low voltage line and high bitrate (up to 10 Gbit/s)
- Connectors : RJ45, Coaxial...
- Applications : Ethernet Cat 5E, Cat 6A, PoE++ ...



zenithunited
mail@zenithunited.com
visayas@zenithunited.com
www.zenithunited.com

HEAD OFFICE
2/F Le Mar Ben II Bldg.,
747 San Bernardo St., Sta. Cruz, Manila
T | +(632) 8733-8030 to 33
M | +(63) 917-635-3484

RETAIL STORE
649 Florentino Torres St.,
Sta. Cruz, Manila
T | +(632) 8733-8026 to 29
M | +(63) 917-563-6152

CEBU OFFICE
11/F AppleOne-Equicom Tower
Mindanao Ave., Biliran Rd,
Cebu City, Philippines 6000
T | +(032) 317-0446
M | +(63) 917-558-1163