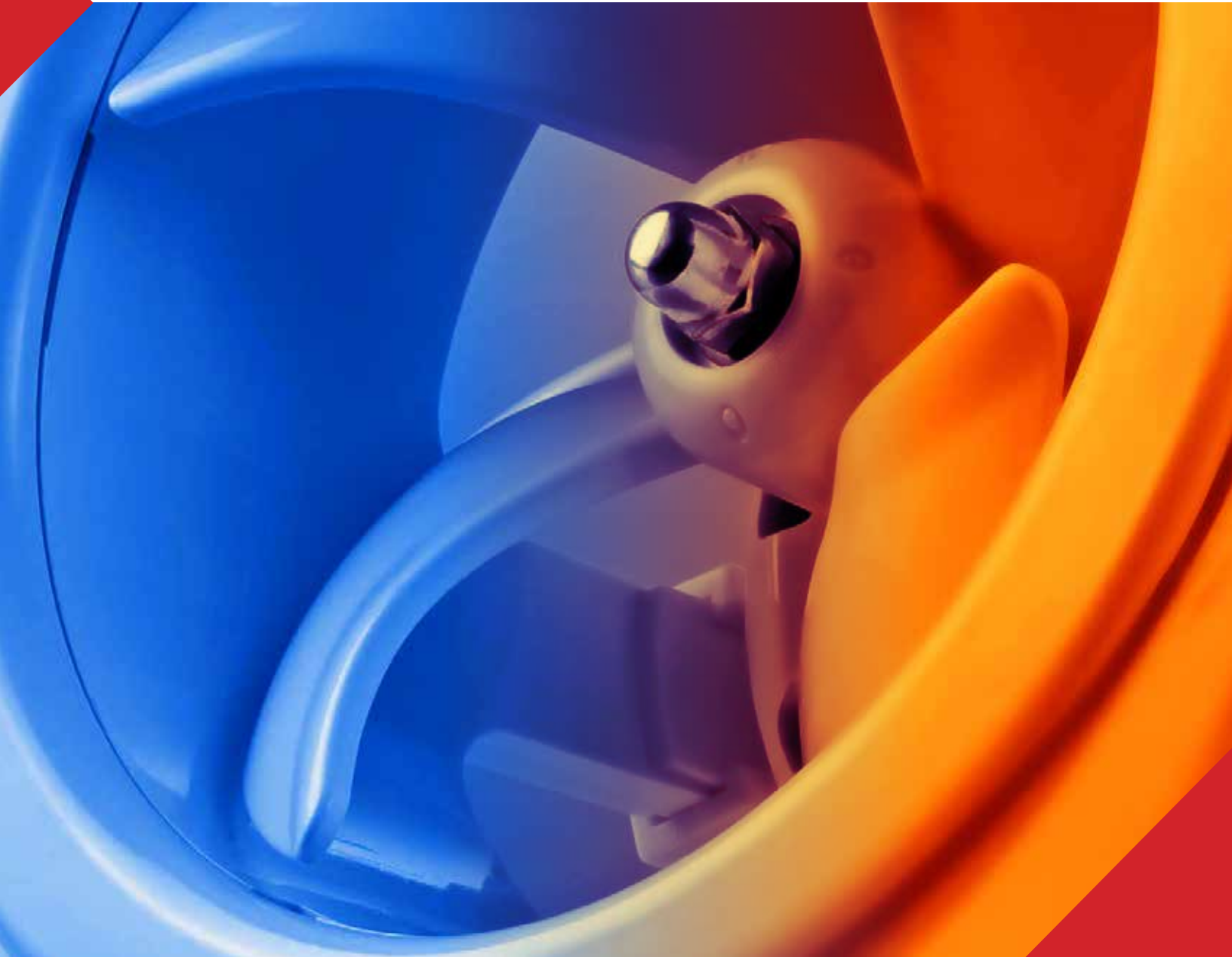




VENTILATION SOLUTIONS

Heavy duty propeller fans • High volume low speed fans • Jet fans • In-line centrifugal fans
Oscillating fans • Ceiling cassette exhaust fans • Controls and accessories





Restaurants



Farms (Poultry, Piggery, Barns)



Warehouses / Production Areas



Corrosive Areas

ADVANTAGES:



Aerodynamic Design

- Maximum air volume & pressure with minimal electrical consumption
- Can be utilized as exhaust fan or blower/supply fan



0% corrosion

- Stainless Steel Propeller & Compound Polypropylene Casing (full anti-corrosion resistance)



Direct Drive Sealed Electric Motor

- (IP55) – 12” to 51” (Dust and Water Resistant)
- (IP44) – 8” to 10” (Dust and Splash Proof)



Insulation Class B & F

- Suitable for high ambient temperature operation (-20°C to 40°C)

- IP55 Wiring Box
- Energy Efficient
- Universal Mounting Installation
- Fully Enclosed Greased for life ball bearings
- Conforms to IEC/CEE Electrical Safety Standards



Metal Frame / Metal Blade

CATALOG NO.	BLADE Ø (in.)	RPM	WATTS	AMP	VOLTS	IP RATING	AIR VOLUME	
							CMH	CFM
V4S2060	8"	1755	40	0.20	230	IP44	485	285
V4S2561	10"	1670	41	0.20	230	IP44	1097	645

Motors: Insulation windings Class B
Ambient Temperature: -25°C and +40°C

Application: Kitchen, Warehouses, Factories



Polypropylene Frame / Polypropylene Blade

CATALOG NO.	BLADE Ø (in.)	RPM	WATTS	AMP	VOLTS	IP RATING	AIR VOLUME	
							CMH	CFM
V4S3901	16"	1670	280	1.2	220/240	IP54	4386	2,580
V4S4961	20"	1675	528	2.2	220/240	IP54	8517	5,010

Motors: Insulation windings Class F
Ambient Temperature: -25°C and +40°C

Application: Farms, Warehouses, Corrosive areas



Metal Frame / Stainless Steel Blade

CATALOG NO.	BLADE Ø (in.)	RPM	WATTS	AMP	VOLTS	IP RATING	AIR VOLUME	
							CMH	CFM
V4S3062	12"	1540	123	0.5	240	IP55	2193	1290
V4S4061	16"	1565	335	1.4	240	IP55	5338	3140
V4S5061	20"	1710	428	1.9	240	IP55	7463	4390
V8S9261	36"	840	863	3.6	240	IP55	19125	11250
3 PHASE								
V4T5066	20"	1670	832	2.5/1.4	240/420	IP55	9860	5800
V8T9261	36"	840	767	3.5/2.0	240/420	IP55	19125	11250

Motors: Insulation windings Class F
Ambient Temperature: -25°C and +40°C

Application: Machine rooms, Warehouses, Factories



Polypropylene Frame / Stainless Steel Blade

CATALOG NO.	BLADE Ø (in.)	RPM	WATTS	AMP	VOLTS	IP RATING	AIR VOLUME	
							CMH	CFM
V4S5060	20"	1710	428	1.9	240	IP55	7463	4390
V6S6360	24"	1150	530	2.2	240	IP55	12000	7060
V6S7160	28"	1100	936	4.1	240	IP55	16031	9430
3 PHASE								
V6T7160	28"	1090	946	3.0/1.7	240/420	IP55	16099	9470

Motors: Insulation windings Class F
Ambient Temperature: -25°C and +40°C

Application: Corrosive areas, Warehouses, Factories

RECIRCULATION FAN



EMI 130 Casing Fan

CATALOG NO.	BLADE Ø (in.)	RPM	WATTS	AMP	VOLTS	IP RATING	AIR VOLUME	
							CMH	CFM
V4E1521	51"	570	1726	7.0	240	IP55	44115	25950
3 PHASE								
V4D1550	51"	570	1750	5.0/2.9	240/420	IP55	45305	26650

Motors: Insulation windings Class F
Ambient Temperature: -25°C and +40°C

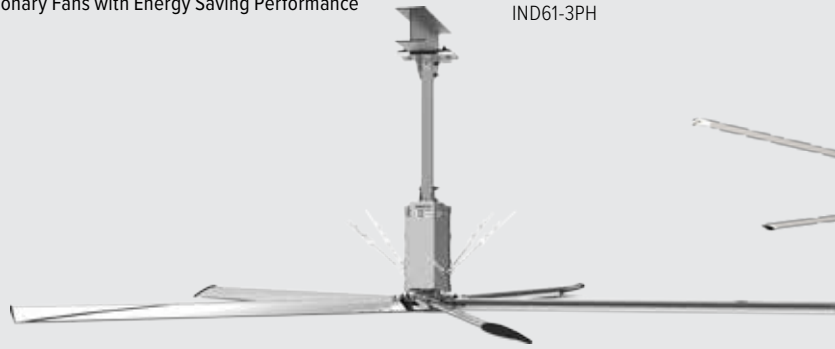
Application: Gymnasiums, Warehouses, Factories

HIGH VOLUME LOW SPEED FANS

Revolutionary Fans with Energy Saving Performance

IND73-3PH
IND61-3PH

IND42-1PH

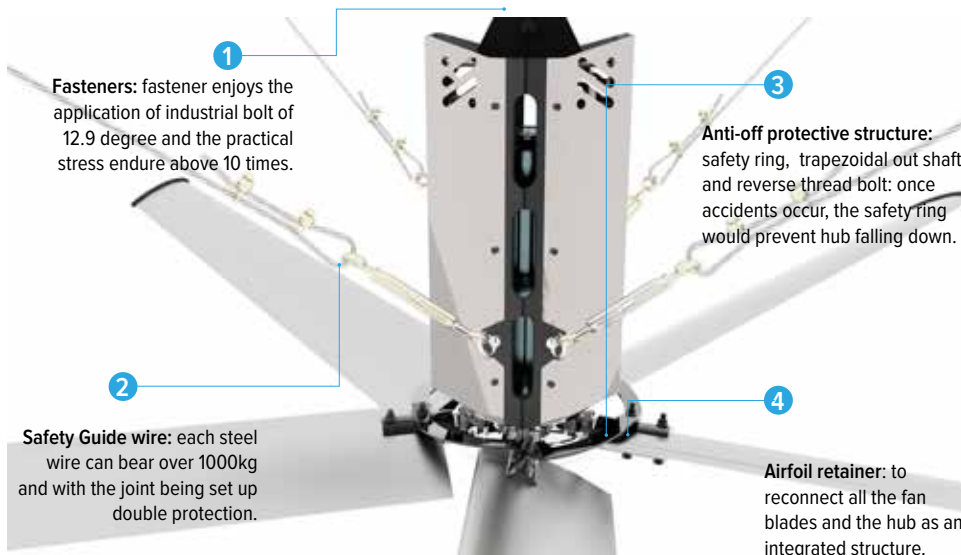


Controller*

CATALOG NUMBER	BLADE Ø	SOUND	POWER	WEIGHT	BLADE MAKE	RATED CURRENT (MAX)
IND73-3PH	24 ft. (7.3m)	50-55 dB	1.5 kw	120 kg	Aluminum Alloy	3.4A
IND61-3PH	20 ft. (6.1m)	50-55 dB	1.5 kw	105 kg	Aluminum Alloy	3.4A
IND42-1PH	14 ft. (4.2m)	< 43 dB	410 w	41 kg	Aluminum Alloy	2A

*Image may vary from actual item

MAXAIR SAFETY FEATURES:



VFD control system: Once the fan blade hits a structure/ item, VFD Control Systems automatically alarm and stops the operation.



APPLICATIONS:

- Industrial buildings
- Factories / Logistics
- Workshops
- Concert Halls / Auditorium
- Warehouses
- Schools
- Gymnasiums
- Churches

BENEFITS:

- Comfort and Freshness
- Low Energy Cost
- Reduce risk and better working condition
- Improve air quality





JET FAN

CATALOG NUMBER	VOLTAGE	POWER	SPEED	NOISE	AIR VOLUME	PRESSURE	IMPELLER Ø
MA-250	220V 60Hz/ 1 phase	300W	3300RPM	67dB	2000CMH	210Pa.	250mm
MA-300	220V 60Hz/ 1 phase	400W	3300RPM	69dB	3000CMH	270Pa.	300mm

Housing and Frame: Mild steel, powder coated 1.2mm

Motor: IP44, F Class

Bracket: 480mm-700mm (adjustable)

OSCILLATING FANS

CATALOG NO.	BLADE Ø (in.)	POWER	VOLTAGE	RPM	CMH
MA24-S	24"	150W	220-240V	1400	11100
MA24-W	24"	150W	220-240V	1400	11100



INLINE CENTRIFUGAL FANS



CATALOG NO.	WATTS	PRESSURE	RPM	AIR VOLUME	
				CMH	CFM
VKM150	98	0.43A	2705	550	326
VKM200	154	0.67A	2375	590	559
VKM250	194	0.85A	2790	1310	771
VKM355 Q	233	1.12A	1475	2142	1260
VKM400	460	2.13A	2560	2958	1741
VKM450	887	3.86A	1440	4500	2648

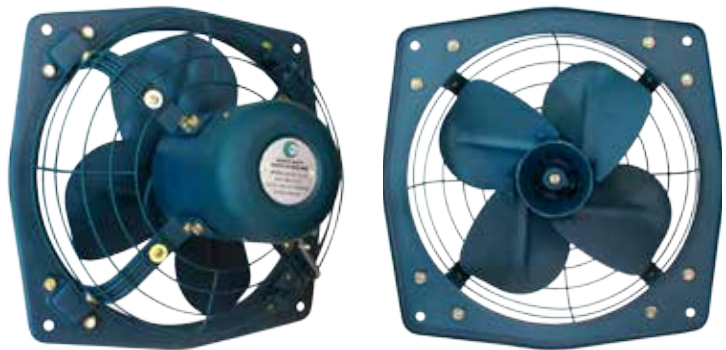


EXHAUST FANS



WV SERIES

- Novel in design
- Low in noise
- Fine in insulation, safe and durable in use
- Suitable for use in factory, hotel, greenhouse, warehouse, drying cabinet, home and kind of sites of ventilating air



CATALOG NO.	BLADE Ø (in.)	AIR FLOW	SPEED	POWER	VOLTAGE	COLOR
WV21-9-R	9"	780CMH	1400RPM	50W	220V/60Hz	Blue
WV21-12-R	12"	1800CMH	1400RPM	130W	220V/60Hz	Blue
WV21-16-R	15"	3300CMH	1400RPM	220W	220V/60Hz	Blue
WV21-18-R	18"	5100CMH	1400RPM	380W	220V/60Hz	Blue
WV21-24-R	24"	8700CMH	960RPM	380W	220V/60Hz	Blue



KINGLAN FANS

CATALOG NO.	BLADE Ø (in.)	RATED CURRENT	AIR VOLUME	
			CMH	CFM
FA-A013PH	4" duct Ø	0.10A	130	77
FA-A016PH	4" duct Ø	0.12A	160	94
FA-C020PH	4" duct Ø	0.18A	200	117



MELAN FANS

CATALOG NO.	BLADE Ø (in.)	RATED CURRENT	AIR VOLUME	
			CMH	CFM
FC-A040PH	6" duct Ø	0.23A	400	235



PREMIUM FANS

CATALOG NO.	BLADE Ø (in.)	RATED CURRENT	AIR VOLUME	
			CMH	CFM
FE-DO55B	6" duct Ø	0.27A	530	312
FE-EO80B	6" duct Ø	0.12A	441	312



SIROCCO FANS

CATALOG NO.	VOLTAGE FREQUENCY V/Hz	POWER (W)	SOUND (dB)	CMH	PRESSURE (Pa.)
DE-BO33B	220/60Hz	37	37	300	130
DE-CO50B	220/60Hz	70	45	480	215



SUPER-ENERGY SAVING DUCT VENTILATORS

CATALOG NO.	VOLTAGE (V/Hz)	AIR VOLUME (M ³ /H)		POWER (W)		PRESSURE (Pa.)		SOUND (dB)	
		HI	LO	HI	LO	HI	LO	HI	LO
DB-A016B	220/60	160	130	13	8	180	150	21	20
DB-B033B	220	330	280	24	16	170	120	25	22



SOLAR-POWERED ATTIC VENTILATOR



CATALOG NO.	VOLTAGE	POWER CONSUMPTION	MAX. AIR VOLUME (M ³ /H)	SOUND (dB)	INSTALLATION OPENING
GA-A065	16	22	650	50	Ø 380



**BREAKERS, CONTACTORS,
OVERLOAD RELAYS & SOFT STARTERS**



Magnetic Contactor



Miniature
Circuit Breaker



Manual Motor
Starter



Moulded Case
Circuit Breaker



Overload Relay



Soft Starter
PSE Series



**CONTROLLER &
THERMOSTATS**



Mf-Net EW 3.15



Mf-Net T15-WD



Mf-Net T15-4

MaxAir

ACCESSORIES



AIR VENT CAP

- Stainless steel 304
- 0.4, 0.45mm thickness
- 100-150mm
- Brushed Silver



ALUMINUM FLEXIBLE DUCT

- Aluminum Foil + Polyester
- Single Layer (4", 5", 6", 8" Dia)
- Multi Layer (5", 6", 8" Dia)



AIR DUCT STRAPPING

- Stainless steel 304
- Width 12.5mm
- 91-114mm - 200-230mm



Your Trusted Partner for Industrial Solutions since 1977

HEAD OFFICE

2/F Le Mar Ben II Building, 747 San Bernardo St., Sta. Cruz, Manila

BRANCH

649 Florentino Torres St. Sta. Cruz, Manila

ELECTRICAL

T | +(632) 733-8030 to 33
F | +(632) 733-0379

VENTILATION

T | +(632) 733-0366 to 68
F | +(632) 736-1655

WIRES & CABLES

T | +(632) 734-5344/46/48
F | +(632) 733-6454

T | +(632) 733-8026 to 29

F | +(632) 733-0383, 734-1148

mail@zenithunited.com | www.zenithunited.com